

STORY WALL NOTES:

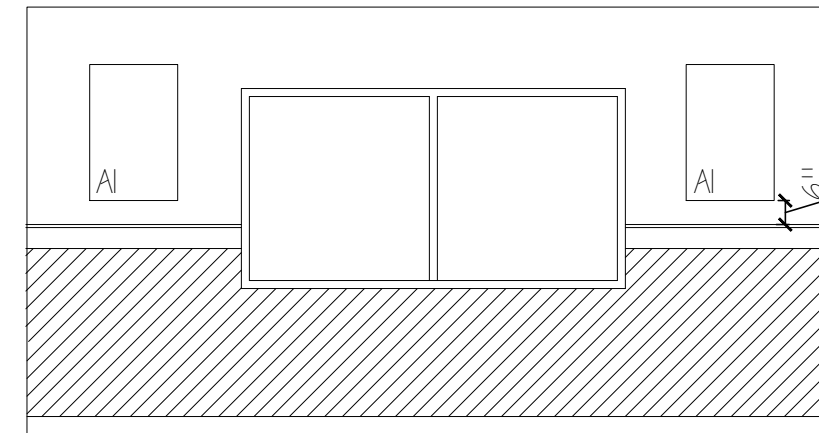
1. TOP AND BOTTOM OF CIRCLE MAY CUT OFF
2. SCOOP AND SPATULA SHOULD APPEAR ON STORY WALL IN FULL.
3. OUTER CIRCLE WILL WRAP TO BACK OF WALL.
4. INSTALL ACRYLIC FRAME WITH NON-GLARE ACRYLIC FACING OUT.

GENERAL NOTES:

1. ALL ARTWORK IS OWNER PROVIDED, GC INSTALLED
2. ARTWORK COMES WITH SECURITY HARDWARE
3. BOTTOM OF ARTWORK SHOULD BE INSTALLED 6" ABOVE THE TOP OF WAINSCOTING

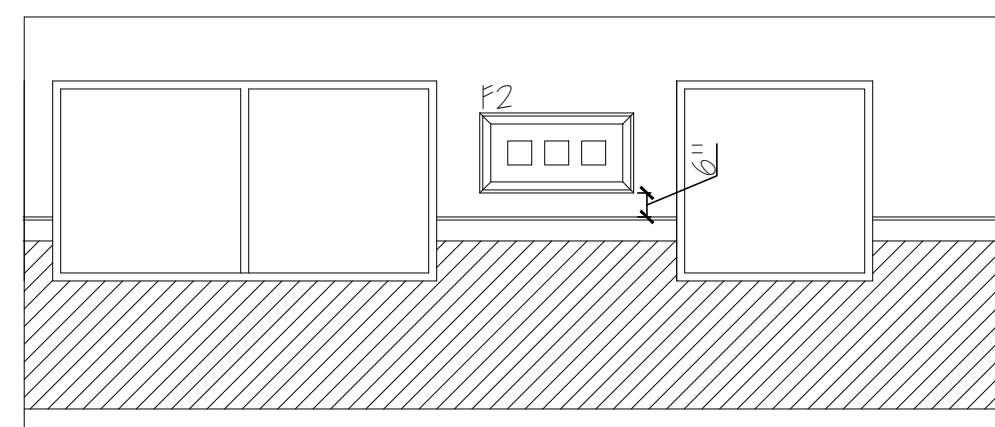
1 ELEV. - STORY WALL

A-7 SCALE: 1/4" = 1'-0"



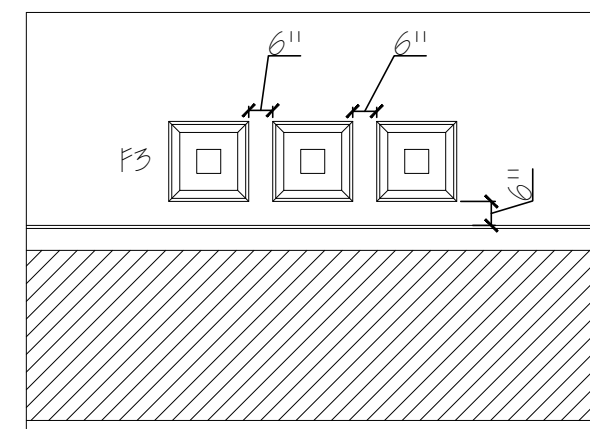
2 ELEV. - CANVAS ART TYP.

A-7 SCALE: 1/4" = 1'-0"



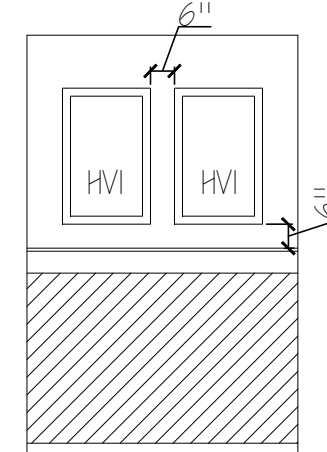
3 ELEV. - FRAMED ART TYP.

A-7 SCALE: 1/4" = 1'-0"



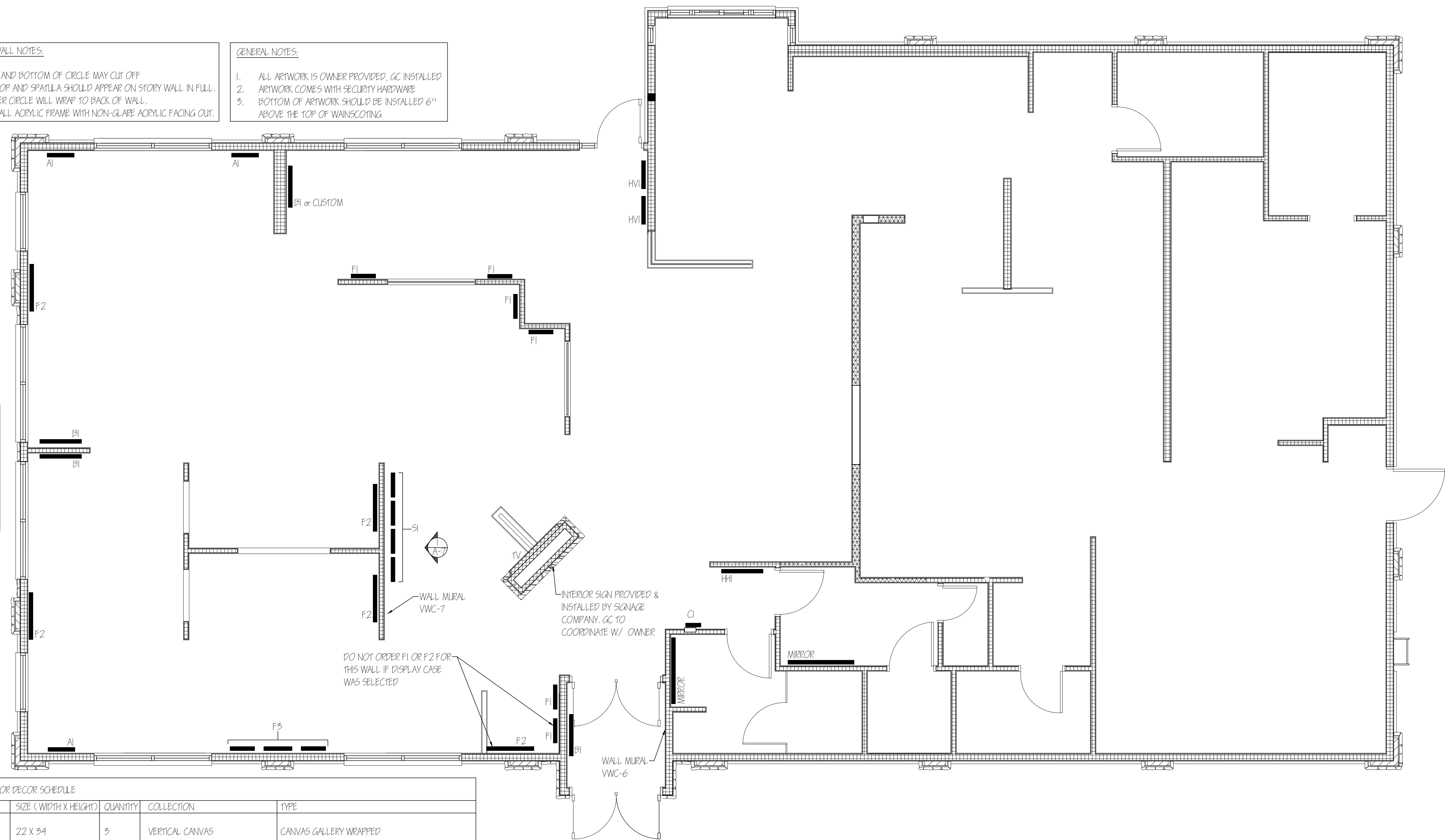
4 ELEV. - F3 FRAMED ART TYP.

A-7 SCALE: 1/4" = 1'-0"



5 ELEV. - HEART OF FRESHNESS ART TYP.

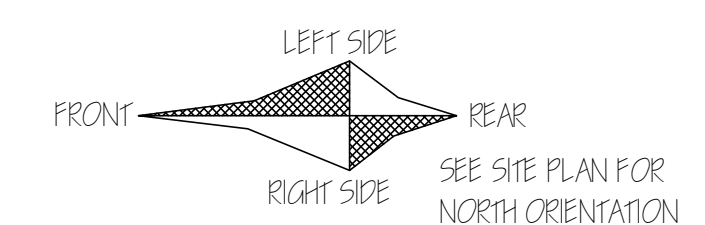
A-7 SCALE: 1/4" = 1'-0"



INTERIOR DECOR SCHEDULE				
TYPE	SIZE (WIDTH X HEIGHT)	QUANTITY	COLLECTION	TYPE
AI	22 X 34	3	VERTICAL CANVAS	CANVAS GALLERY WRAPPED
BI	34 X 22	4*	HORIZONTAL CANVAS	CANVAS GALLERY WRAPPED
F1	19.5 X 19.5	6*	FRAMED	FRAMED AND MATTED PRINTS, NON-GLARE ACRYLIC
F2	38.5 X 20	5*	FRAMED	FRAMED AND MATTED PRINTS, NON-GLARE ACRYLIC
F3	(3) 19.5 X 19.5	1	FRAMED	FRAMED AND MATTED PRINTS, NON-GLARE ACRYLIC
HVI	22 X 34	2	VERTICAL HEART OF FRESHNESS	WOOD FRAME W/ PRINTED PVC INSERTS
HH	34 X 22	1	HORIZONTAL HEART OF FRESHNESS	WOOD FRAME W/ PRINTED PVC INSERTS
SI	20 X 24	4	STORY WALL	ACRYLIC FRAME W/ METAL STAND OFFS
CI	12.5 X 15	1	QUEST COMMUNICATIONS	ACRYLIC FRAME W/ METAL STAND OFFS
MIRROR	34 X 36	2	RESTROOM MIRRORS	LAMINATED COMPOSITE FRAME

*ACTUAL NUMBER OF PIECES NEEDED MAY DIFFER PER SPECIFIC LOCATION AND PLAN.
SEE PACKAGE B LIST FOR VENDOR CONTACT INFORMATION.

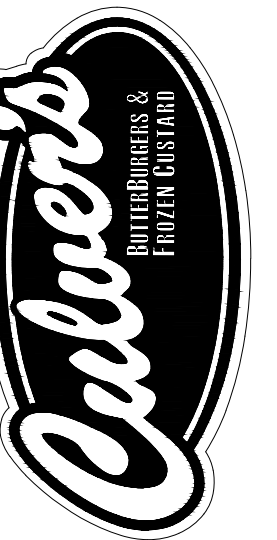
INTERIOR DECOR PLAN - METRO L - 2023 PROTOTYPE
SCALE: 1/4" = 1'-0"



WARNING: These plans are for the exclusive use of Culver Franchising System, LLC and authorized franchise holders only. No part of these plans or the design they represent may be duplicated or reproduced without permission of Culver Franchising System, LLC.

Date	Revision	By

Culver Franchising System, LLC
1240 Water Street
Prairie du Sac, WI 53578
608-643-7980



CULVER FRANCHISING SYSTEM, LLC
METRO L - 2023
PROTOTYPE PLANS

Sheet Contents:
INTERIOR DECOR PLAN & DETAILS

Project No. Metro L - 2023
Drawn By: S. Datka
Date: Jan. 1, 2023

Sheet
A-7